

**FLOW-TEK VALVES
& CONTROLS INC.**



AN ISO 9001 : 2008 CERTIFIED COMPANY

MANUFACTURER & EXPORTER OF

Flow-age

MAKE SPECIALISED INDUSTRIAL VALVES

**BUTTERFLY
VALVE**



Flow-age

"All Types of Valve for whole Project"

www.flowagevalves.com

BUTTERFLY VALVE

GENERAL INTRODUCTION:

"Flow age" Butterfly Valve make an excellent choice by combining the balance of an economical valve with the performance you expect in a commercial, HVAC and an industrial Butterfly Valve.

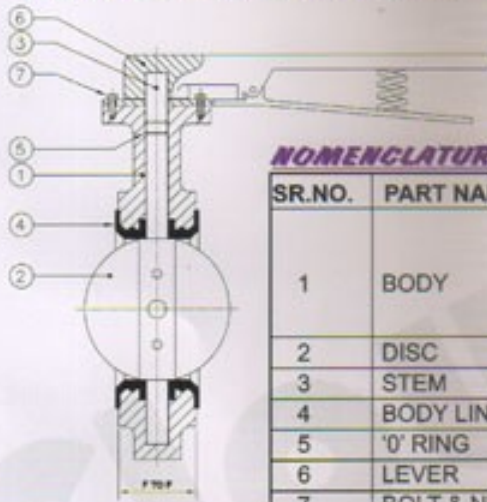
The wafer style body has universal design to fit between pipe flanges of almost all popular flange standards, also available with Flanged End connection.

TECHNICAL DATA:

Design Standard	: BS 5155 / API 609 / IS 13095
Face to Face	: BS 5155 / API 609 / IS 13095 (Wafer Short)
End Connection	: Wafer Type / Lug Type / Flanged End to suit ANSI / DIN / BS / JIS / IS etc.
Testing Standard	: BS 5155 / BS 6755 (Part I) / API 598 / IS 13095
Type	: Center Disc / Off-Set Disc / Double Eccentric / Triple Eccentric
Operation	: Lever / Gear / Pneumatic Actuator / Pneumatic Cylinder / Electrical (Motorized) Actuator / Manual Override Arrangement with Pneumatic & Electrical Actuator
Size Range	: 50 NB TO 1200 NB (larger sizes on request)



CENTERDISC DESIGN BUTTERFLY VALVE



DIMENSION: (F TO F)

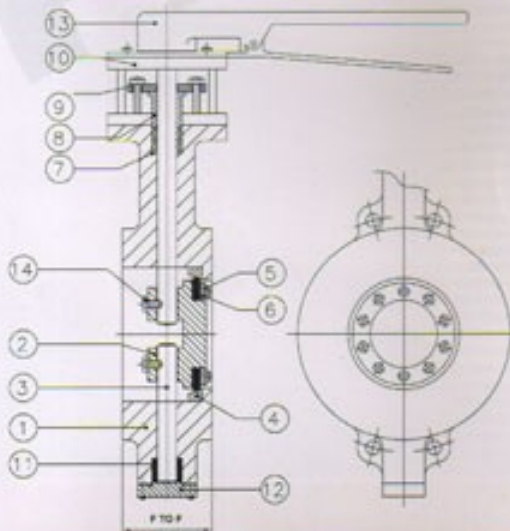
VALVE SIZE	80	100	150	200	250	300	350	400	450	500	600
150#	48	54	57	64	71	81	92	102	114	127	154

ALL DIMENSION ARE IN MM

NOMENCLATURE

SR.NO.	PART NAME	MATERIAL
1	BODY	C.I. TO IS 210 FG 200 / 220 / 260 / Wc6/ ASTM A 216 GR.WCB / ASTM A 105/ ASTM A 351 GR.CF8 / ASTM A 182 GR.F-304 / AISI 304 ASTM A 351 GR.CF8M / ASTM A 182 GR.F-316 / AISI 316
2	DISC	S.G. IRON WITH NYLON COATED
3	STEM	AISI 304 (S.S. 304)
4	BODY LINNING	BLACK NITRILE
5	'O' RING	NEOPRENE
6	LEVER	M.S. DIE PRESSED FABRICATED (UNBREAKABLE)
7	BOLT & NUT	CARBON STEEL

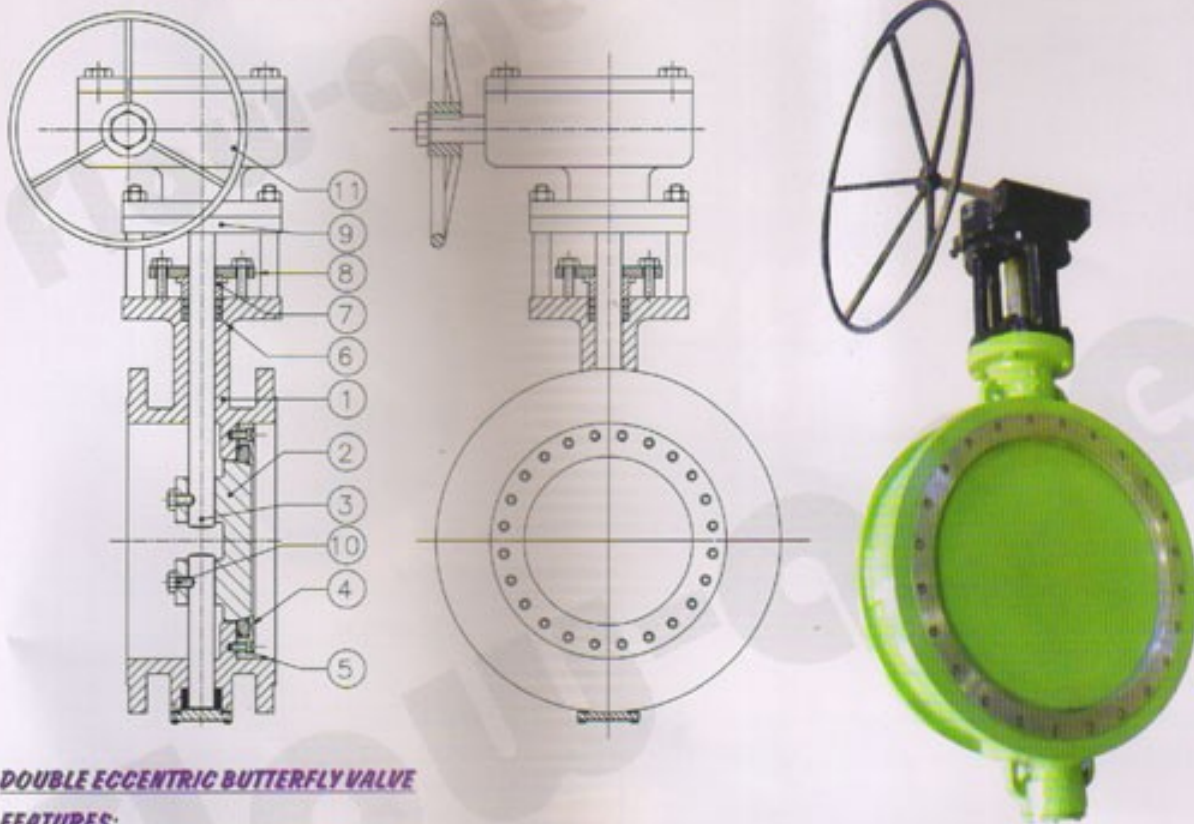
OFF-SET DISC DESIGN BUTTERFLY VALVE



NOMENCLATURE

SR.NO.	PART NAME	MATERIAL
1	BODY	C.I. TO IS 210 FG 200 / 220 / 260 / Wc6/ ASTM A 216 GR.WCB / ASTM A 105/ ASTM A 351 GR.CF8 / ASTM A 182 GR.F-304 / AISI 304 ASTM A 351 GR.CF8M / ASTM A 182 GR.F-316 / AISI 316
2	DISC	ASTM A 351 GR.CF8 / ASTM A 182 GR.F-304 / AISI 304 ASTM A 351 GR.CF8M / ASTM A 182 GR.F-316 / AISI 316
3	STEM	AISI 304
4	SEAT	P.T.F.E.
5	SEAT RING	P.T.F.E.
6	CLAMPING RING	AISI 304
7	GLAND PACKING	P.T.F.E.
8	GLAND BUSH	AISI 304
9	GLAND FLANGE	C.S.
10	BRACKET	M.S. FABRICATED
11	BOTTOM GUIDE	P.T.F.E.
12	BOTTOM COVER	C.S.
13	LEVER	M.S. DIE PRESSED (FABRICATED HEAVY DUTY)
14	NUT & BOLTS	C.S.

DOUBLE ECCENTRIC BUTTERFLY VALVE



DOUBLE ECCENTRIC BUTTERFLY VALVE

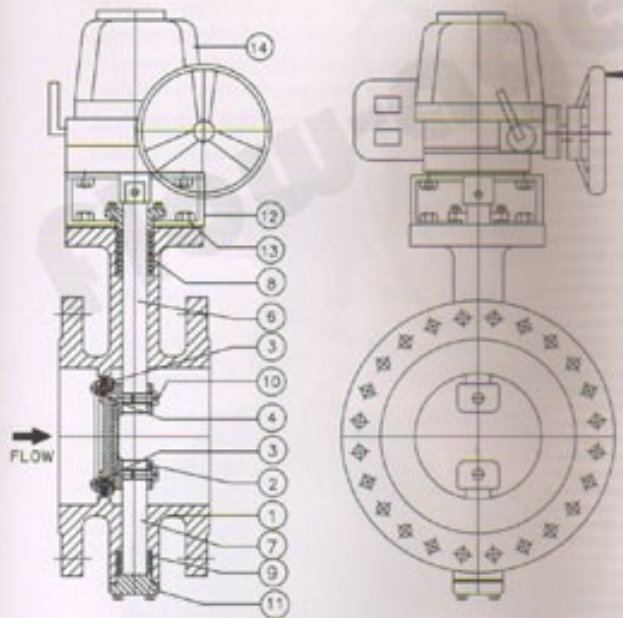
FEATURES:

- Double Eccentric Design
- The resilient seal encapsulated in the disc is fully adjustable and replaceable
- One piece seal retaining ring
- Standard SS 304 for body seat ring and seal retaining ring, other materials are optional
- Available in metal to metal seating
- Horizontal shaft as standard, vertical shaft mounting optional
- Suitable for throttling service
- Low head loss
- Face To Face dimension available to different standards
- Flanges according to international standards
- **Standard supplied including worm gear operator:** other means of operation on request
- **Size Range:** 50 NB TO 1200 NB (larger sizes on request)

NOMENCLATURE

SR.NO.	PART NAME	MATERIAL
1	BODY	C.I. TO IS 210 GR. FG 200
2	DISC	DUCTILE IRON (GGG 50)
3	SPINDLE	AISI 304
4	SEAT	AISI 304
5	CLAMPING RING	AISI 304
6	GLAND PACKING	P.T.F.E.
7	GLAND BUSH	C.S.
8	GLAND FLANGE	c.s.
9	GEAR BRACKET	M.S. FABRICATED
10	NUT & BOLTS	C.S.
11	GEAR BOX	M.S. FABRICATED (HEAVY) C.I. TO IS 210 GR. FG 200

TRIPLE ECCENTRIC BUTTERFLY VALVE



FEATURES:

- High performance triple eccentric butterfly valve
- Excellent isolation function for gas and liquid and flow regulating feature
- Long service life is available for welding in stainless steel or surfacing welding hard alloy valves
- Sealing ring easy for replacing and regulating
- Applicable to bad working conditions like high temperatures, high performance and corrosive
- Lower operation torque and reliable torque turn off
- Also available in metal to metal seat for high temperature service.
- **Size Range:** 50NB to 1200 NB (larger sizes on request)

NOMENCLATURE

SR. NO	DESCRIPTION	MATERIAL
1	BODY	ASTM A 216 GR. WCB
2	DISC	ASTM A 351 GR. CF8
3	BODY SEAT RING	AISI 304
4	CLAMPING RING	AISI 304
5	ALSCREW	S.S. 304
6	TOP SHAFT	AISI 410
7	BOTTOM SHAFT	AISI 410
8	GLAND PACKING	PTFE "V" RING
9	BOTTOM PACKING	PTFE "V" RING
10	DISC BOLT	S.S. 304
11	BOTTOM COVER	M.S.
12	BRACKET	M.S. FABRICATED
13	BOLTS	M.S.
14	ELE. ACTUATOR	AUMA MAKE

SEAT TEMPERATURE RATINGS:

(For Resilient Seated Butterfly Valves)

MATERIAL	TEMPERATURE RATINGS °C (°F)
EPDM (2" - 16")	-34 To 107 (-30 to 225)
EPDM (18" & Larger)	-34 To 107 (-30 to 225)
PTFE	4 To 121 (40 to 250)
BUNA-N	-12 to 82 (10 to 180)
NEOPRENE	-6 to 93 (20 to 200)
HYPALON	-17 to 135 (0 to 275)
VITON	-12 to 135 (10 to 275)
HIGH TEMPERATURE (VITON)	-12 to 204 (10 to 400)

* Please contact us for any type of customized automation in Butterfly Valve for typical applications.

OTHER MFG. RANGE: Pressure Reducing Valve, Safety Relief Valve, Globe Valve, Ball Valve, Gate Valve, Plug Valve, Non Return Valve, Automatic Control Valve, Pneumatic Control Valve, Motorised Control Valve, Knife Edge Gate Valve, Diaphragm Valve, Flush Bottom Valve, Strainer, Filter, Pressure Reducing Station, Gas Skid & All type of manual / actuator / cylinder operated valves with any type of automation.

* Please note this a condensed catalogue for a complete version please contact Flow-Tek directly.



Unit : 1 **FLOW-TEK VALVES & CONTROLS**

L-556, Nr. Odhav Police Station, GIDC Odhav, Ahmedabad - 382415.
 Phone : +91+79-22875310, 22894363, Fax : +91+79-22875310
 Mobile : 09824080899, 09824539702, 099040 31899
 E-Mail - info@flowagevalves.com
 Web Site - www.flowagevalves.com

Unit : 2 **FLOW-TEK VALVES & CONTROLS INC.**

Plot No. 172-173, Road No.4, GIDC Kalhwada, Ahmedabad - 382430, Gujarat, INDIA
 Phone : +91+79-22900219, 22900220, Fax : +91+79-22875310
 Mobile : 09824080899, 09824539702, 099040 31899
 E-Mail - info@flowagevalves.com
 Web Site - www.flowagevalves.com