

**FLOW-TEK VALVES  
& CONTROLS INC.**



AN ISO 9001 - 2008 CERTIFIED COMPANY

MANUFACTURER & EXPORTER OF

**Flow-age**

MAKE SPECIALISED INDUSTRIAL VALVES

BALL VALVE



Flow-age

" All Types of Valve for whole Project "

[www.flowagevalves.com](http://www.flowagevalves.com)

# BALL VALVE

## GENERAL INTRODUCTION:

"Flow age" Cast Steel Ball Valve are designed and manufactured to provide maximum service life and dependability.

"Flow age" can offer a series of One Piece, Two Piece, Three Piece, Flanged End, Screwed End, Socket Weld End and Butt Weld End Ball Valves.

"Flow age" Ball Valve are provided with self-lubricated and replaceable P.T.E.F. seats, mirror polished finish of stainless steel ball eliminates frictions to reduce operating torque (smooth in operation) so, the Ball Valves becomes free from maintenance and gives the long life.

All the valves are manufacturing as per international Design and standards to get the Total Interchangeable, Finest Quality and Workmanship.

## SPECIAL FEATURES:

"Flow age" offer Ball Valve in Fire Safe Design, Jacketed Design, Trunion Mounted Design, Teflon Lined and Multi-Port Designs with Pneumatic Actuator, Electrical Actuator and Pneumatic Cylinder operated along with extra accessories like Manual Gear, Solenoid and Limit Switches etc.

## NOMENCLATURE

S.NO.	PART NAME	MATERIAL
1	BODY	C.I. TO IS 219 FG 200 / 220 / 250 / WCB / ASTM A 216 GR. WCB / ASTM A 105
2	SIDE PIECE	ASTM A 351 GR. CF8 / ASTM A 182 GR. F-304 / AISI 304 / ASTM A 351 GR. CF8M / ASTM A 182 GR. F-316 / AISI 316
3	BALL	AISI 304 / AISI 316 / AISI 304L / AISI 316L ALLOY-20
4	STEM	ASTM 351 GR. CF 8 / 8M / 3 / 3M / CN7
5	SEAT	
6	BODY SEAL	P.T.F.E. / GLASS FILLED PTFE / CARBON FILLED PTFE
7	GLAND SEAL	
8	GLAND	AISI 304 / 316 / 304L / 316L / ALLOY-20
9	STUD & NUT	C.S. / S.S. 304/316
10	GLAND NUT	C.S. / S.S. 304/316
11	HANDLE NUT	C.S. / S.S. 304/316
12	HANDLE	C.S.
13	BLEEVE	P.V.C.

## TESTING STANDARD : (API 598 / API 6D / BS 5145)

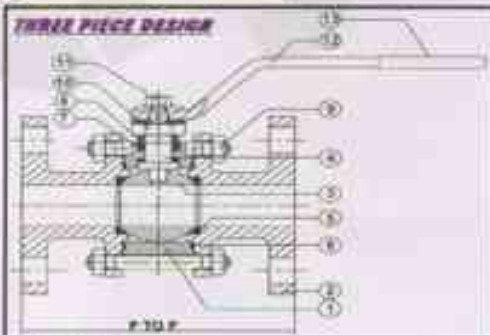
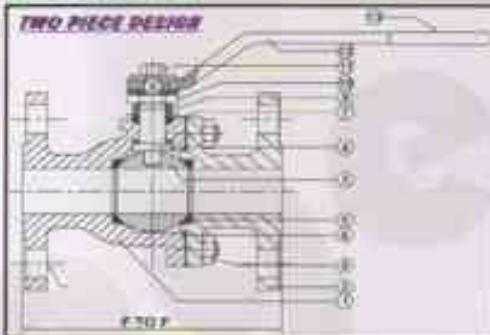
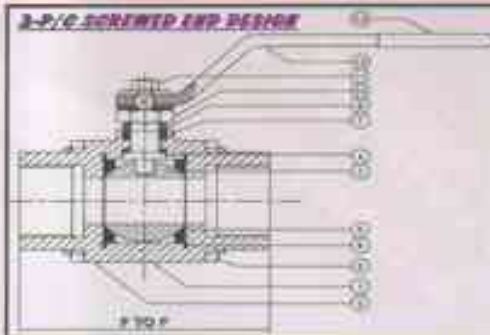
TEST TYPE	TEST PRESSURE	TEST PRESSURE		
		CLASS 150	CLASS 300	CLASS 600
HYDRO SHELL	kg/cm <sup>2</sup>	30	76	152
	Psg	425	1080	2130
HYDRO END	kg/cm <sup>2</sup>	22	55	110
	Psg	315	780	1560
AIR TEST	kg/cm <sup>2</sup>	4.2	-	-
	Psg	60	-	-

## APPLICABLE STANDARDS

- STEEL BALL VALVES : API 608 / API 6D / BS 5351
- STEEL BALL VALVES : ISO 10434 / ISO 14313
- FIRE SAFE : API 607
- ANTI-STATIC : API 608
- STEEL VALVES : ANSI B 16.34
- FACE TO FACE : ANSI B 16.10
- END DRILLED : ANSI B 16.5
- BUTT WELD ENDS : ANSI B 16.25
- INSPECTION AND TEST : API 598 / API 6D / BS 5145

## DESIGN DESCRIPTION:

- FULL PORT DESIGN
- BS BOLTED BONNET, SPLIT BODY
- FLOATING BALL TYPE
- FLOW-OUT PROOF STEM
- FIRE SAFE DESIGN
- ANTI-STATIC DEVICE
- STOPPER DEVICE
- ISO 5211 MOUNTING PAD
- FLANGED OR BUTT WELDING ENDS
- AVAILABLE WITH BG OPERATOR
- TRUNION MOUNTED



## DIMENSION / (F.T.D.)

VALVE SIZE (MM)	150#	300#	600#	BS / IW
15	107.95	-	165.1	84
20	117.47	-	190.5	191
25	127	-	215.9	100
32	139.7	-	228.6	110
40	165.1	180.5	241.3	116
50	177.8	215.9	292.1	128
65	190.5	241.3	330.2	-
80	203.2	282.57	355.6	-
100	228.6	304.8	431.8	-
150	286.7	403.22	558.6	-
200	292.1	419.1	600.4	-
250	330.2	457.2	717.4	-
300	355.6	501.65	838.2	-
350	381	571.6	888	-
400	406.4	609.6	990.6	-

ALL DIMENSION ARE IN MM.

\* Please contact us for any type of customized automation in Ball valves for typical applications.

**OTHER MFG. RANGE:** Pressure Reducing Valve, Safety Relief Valve, Globe Valve, Gate Valve, Butterfly Valve, Plug Valve, Non Return Valve, Automatic Control Valve, Pneumatic Control Valve, Motorised Control Valve, Knife Edge Gate Valve, Diaphragm Valve, Flush Bottom Valve, Strainer, Filter, Pressure Reducing Station, Gas Skid & All type of manual / actuator / cylinder operated valves with any type of automation.

\* Please note this a condensed catalogue for a complete version please contact Flow-Tek directly.



flow-age

Unit - 1 **FLOW-TEK VALVES & CONTROLS**  
 L-258, Nr. Odhav Police Station, DDC Odhav, Ahmedabad - 382415  
 Phone: +91-79-22870310, 22884363, Fax: +91-79-22875310  
 Mobile: 09824000099, 09824530702, 09824031028  
 E-Mail: info@flowagevalves.com  
 Web Site: www.flowagevalves.com

Unit - 2 **FLOW-TEK VALVES & CONTROLS INC.**  
 Plot No. 172-173, Road No. 4, SIDC Kothiwadi, Ahmedabad - 382430, Gujarat, INDIA  
 Phone: +91-79-22939219, 22939220, Fax: +91-79-22875310  
 Mobile: 09824080880, 09824535702, 09824031889  
 E-Mail: info@flowagevalves.com  
 Web Site: www.flowagevalves.com